

The Sand Base Assembly

Assembly & Instructions

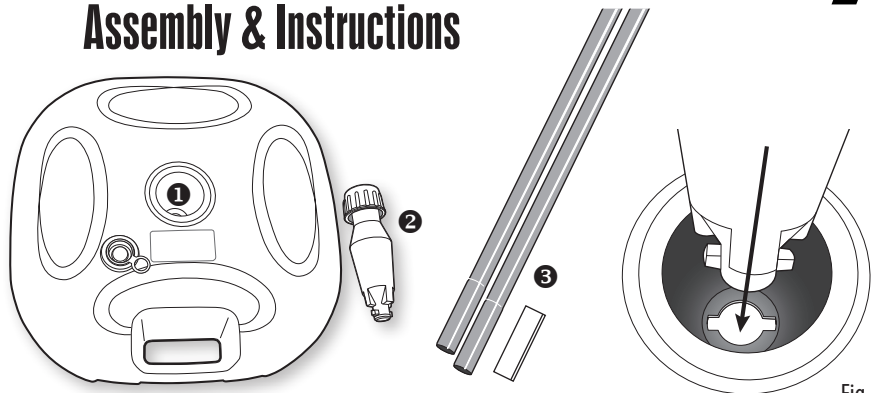


Fig. 1

Sand Base Assembly

1. Insert flag pole housing (2) into the center hole of the flag base (1), aligning the notched end with the notched hole at the bottom of the base (Fig. 1).
2. After you feel the pole housing slide through the opening, turn the housing a quarter turn to lock in place (Fig. 2).
3. Remove the plug on top of the base to fill base with sand for maximum ballast (Fig. 3).
4. Transport base to the location you desire to fly your flag.

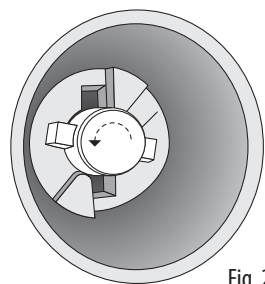


Fig. 2

Flag Assembly

The flag pole (3) comes in 2 sections of aluminum poles. The bottom section has a snap-on clip that is used to secure the flag to the pole. The top section has a silver ball on one end.

1. Assemble the pole by sliding each section into the appropriate ends.
2. Insert top end of pole into the open end of the flag sleeve and pull flag onto the entire length of the pole.
3. Snap the white plastic clip over the flag sleeve securing the flag to the bottom pole (Fig. 4).
4. Insert flag pole into the flag pole housing on the flag base, and your flag installation is complete.

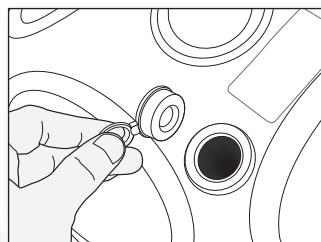


Fig. 3

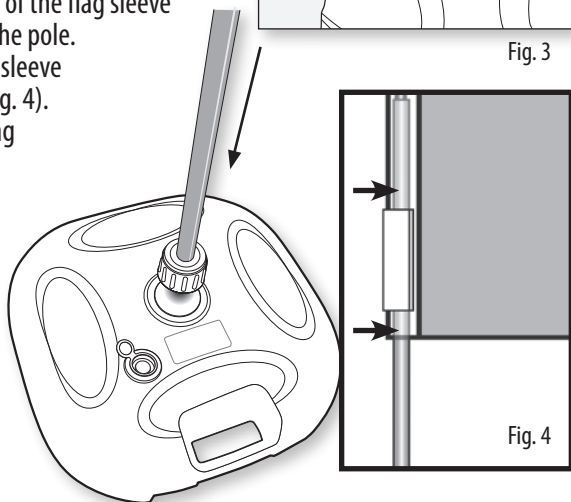


Fig. 4

PLEASE NOTE:

Do not use this product in high winds.